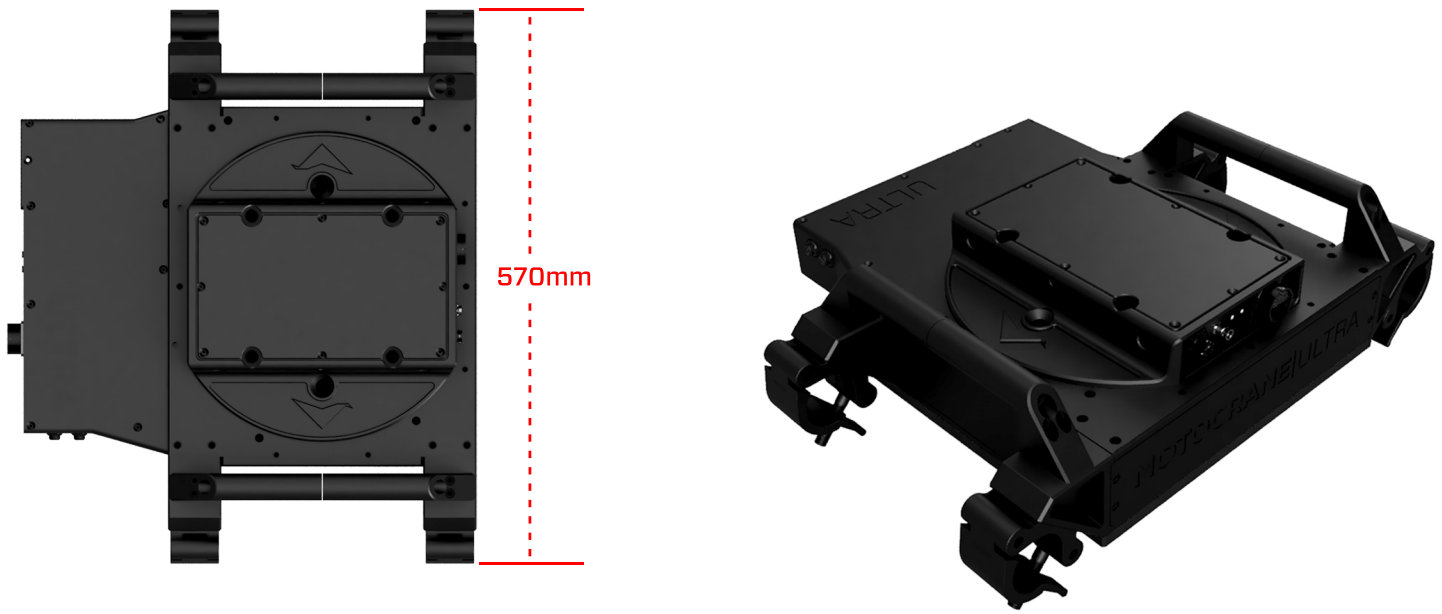
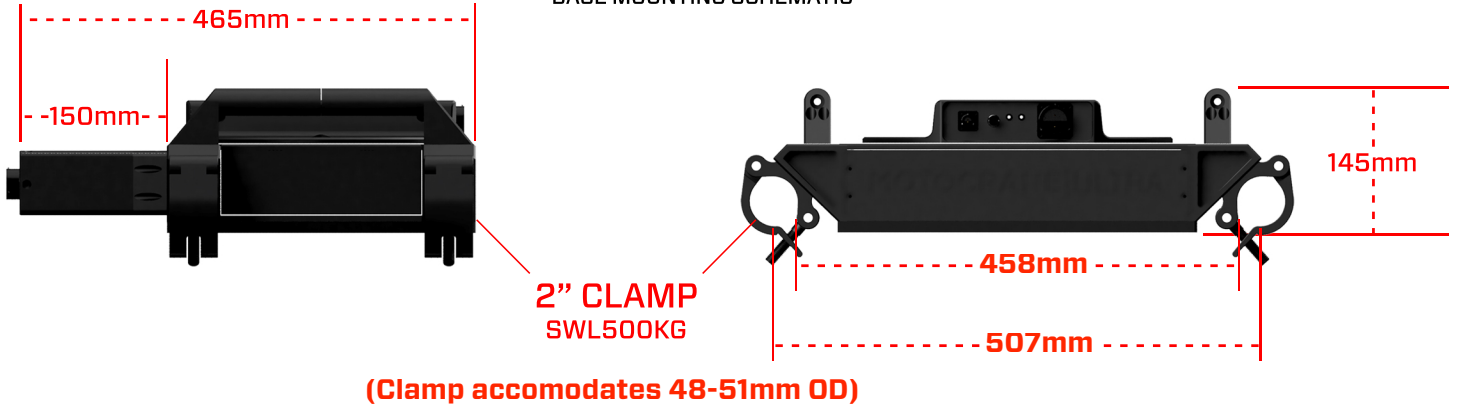



ULTRA
BASE MOUNTING SCHEMATIC



LENGTH MIN: 36"
WIDTH MIN: 30"
MUST ACCOMODATE 9" CUP IF USING SSG KIT

